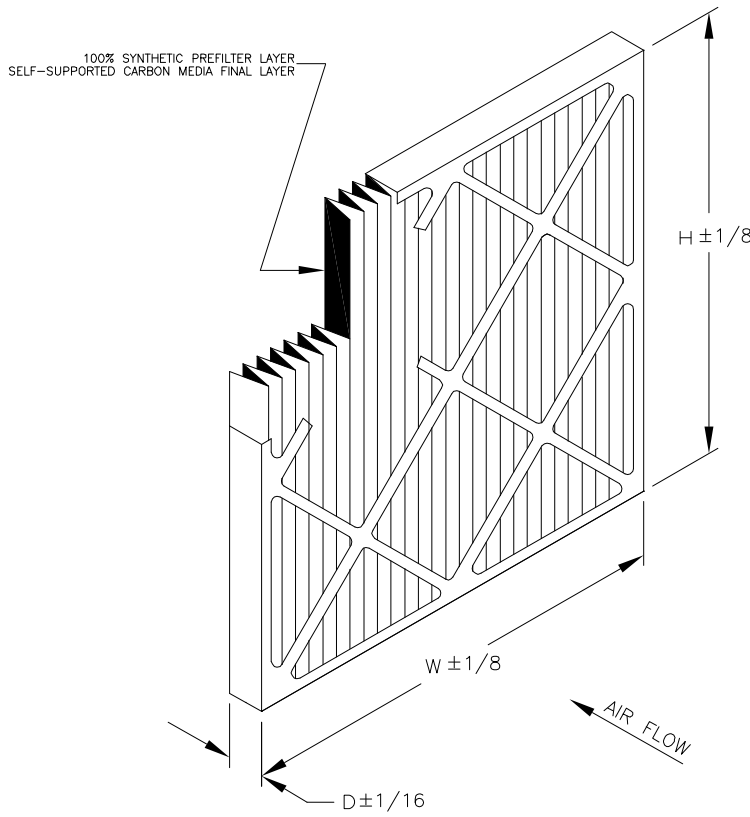


MODEL NUMBER	NOMINAL SIZE W X H X D	ACTUAL SIZE W X H X D	AIR FLOW RATE CFM	INITIAL RESISTANCE IN. W.G.	MEDIA AREA SQ. FT.	CARBON WEIGHT GRAM
HE40CB	12 X 24 X 1	11-3/8 X 23-3/8 X 3/4	600	.40	2.6	48
HE40CB	16 X 20 X 1	15-1/2 X 19-1/2 X 3/4	665	.40	3.4	63
HE40CB	16 X 25 X 1	15-1/2 X 24-1/2 X 3/4	850	.40	4.3	80
HE40CB	18 X 24 X 1	17-3/8 X 23-3/8 X 3/4	900	.40	4.4	81
HE40CB	20 X 20 X 1	19-1/2 X 19-1/2 X 3/4	850	.40	4.3	80
HE40CB	20 X 25 X 1	19-1/2 X 24-1/2 X 3/4	1050	.40	5.3	98
HE40CB	24 X 24 X 1	23-3/8 X 23-3/8 X 3/4	1200	.40	6.1	113
HE40CB	12 X 24 X 2	11-3/8 X 23-3/8 X 1-3/4	1000	.55	5.9	109
HE40CB	16 X 20 X 2	15-1/2 X 19-1/2 X 1-3/4	1100	.55	6.9	128
HE40CB	16 X 25 X 2	15-1/2 X 24-1/2 X 1-3/4	1400	.55	8.7	162
HE40CB	18 X 24 X 2	17-3/8 X 23-3/8 X 1-3/4	1500	.55	9.3	172
HE40CB	20 X 20 X 2	19-1/2 X 19-1/2 X 1-3/4	1400	.55	8.9	165
HE40CB	20 X 25 X 2	19-1/2 X 24-1/2 X 1-3/4	1750	.55	11.2	208
HE40CB	24 X 24 X 2	23-3/8 X 23-3/8 X 1-3/4	2000	.55	12.5	232
HE40CB	12 X 24 X 4	11-3/8 X 23-3/8 X 3-3/4	1250	.51	12.7	235
HE40CB	16 X 20 X 4	15-1/2 X 19-1/2 X 3-3/4	1400	.51	14.9	277
HE40CB	16 X 25 X 4	15-1/2 X 24-1/2 X 3-3/4	1750	.51	18.7	348
HE40CB	18 X 24 X 4	17-3/8 X 23-3/8 X 3-3/4	1875	.51	18.8	349
HE40CB	20 X 20 X 4	19-1/2 X 19-1/2 X 3-3/4	1750	.51	19.1	335
HE40CB	20 X 25 X 4	19-1/2 X 24-1/2 X 3-3/4	2170	.51	24.1	448
HE40CB	24 X 24 X 4	23-3/8 X 23-3/8 X 3-3/4	2500	.51	26.8	498



- STANDARD CONSTRUCTION**
- White, 100% Synthetic High Loft Media
Self Supporting Activated Carbon Media
60% Activity, 200 grams / square meter
 - Pleat Count:
1" - 11 Pleats/Foot
2" & 4"- 10 Pleats/Foot
 - Moisture Resistant Beverage Board Frame
 - Double Wall Frame
 - (2) Rows of Fingers on Air Entering Side (4" Only)

- NOTES**
- MERV 7 ASHRAE 52.2-1992
 - Final Resistance: 1" W.G.

Purolator
P.O. Box 32578
Louisville, KY 40232
P: 866-925-2247
F: 502-961-0930
www.purolatorair.com

CONTACT FACTORY TO
VERIFY REVISION LEVEL

TOLERANCES
UNLESS OTHERWISE SPECIFIED

FRACTIONAL -
DECIMAL -
ANGLES -

ALL DIMENSIONS IN INCHES

DRAWING NAME HI-E 40 CB PLEAT (1" 2" & 4")			
APPROVED BY <i>K. Quinn</i>	SPECIFICATION NO. MKT-P-00276	PAGE 1 OF 1	
SCALE NONE	DWG. SIZE A	REVISION C	REVISION DATE 08-30-11
<small>CONFIDENTIAL - DO NOT COPY. THIS MATERIAL IS TRADE SECRET AND PROPRIETARY BEING EXCLUSIVELY OWNED BY CLC AIR. THE EXPRESSION OF THE INFORMATION CONTAINED HEREIN IS PROTECTED UNDER FEDERAL COPYRIGHT LAWS AND ALL COPYING IS PROHIBITED AND MAY BE SUBJECT TO CRIMINAL PENALTIES.</small>			